



SANDHYA ENTERPRISES

AN ISO 9001:2015 Certified Company

Address: 5-24-1223/8/1, Ambedkar Nagar, Gajularamaram, Hyderabad – 500055.

AN ISO 9001:2015 Certified Company

Contact No: 9652998932

GSTIN: 36GNLPS1299P1ZS

Email : sandhyapprises@gmail.com

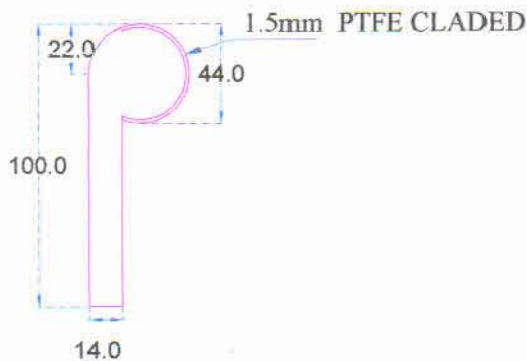
Website : www.sandhyaflex.com

WhatsApp: 9652998932

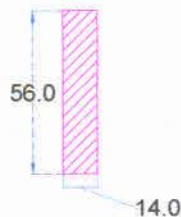
YouTube: www.youtube.com/c/SANDHYAENTERPRISES

Website : <http://www.sandhyaflex.com/pvc-water->

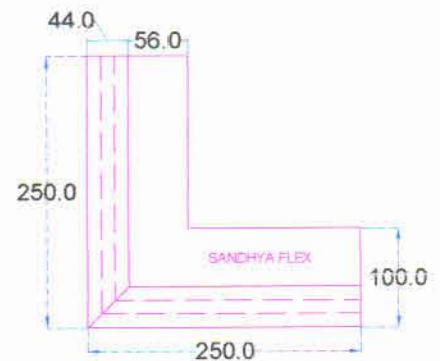
Request a Quote : <https://www.sandhyaflex.com/contactus-1.php>



SECTIONAL DETAILS OF PTFE TEFLON CLADED DAM GATE SEAL




SECTIONAL DETAILS OF FLAT TYPE SEAL



DETAILS OF MOULDED CORNER SEAL

All dimensions are in millimeter

S.NO	TESTS	Permissible Limits as per IS:11855-1986 Specificatoin	Relevant code for testing procedure/method
1	Physical Properties-Before Ageing		
	Hardness Test	60 to 70 Shore A	IS:3400(Part II)
	Tensile Strength	14.5 N/MM ² (Min)	IS:3400(Part I)
	Elongation at Break	450%(min)	IS:3400(Part I)
2	Water Absorbtion	10% (max)	IS:3400(Part VI)
3	Polymer Percentage	70%(min)	IS:3400(Part XXII)
4	Polymer	(NR)	ASTM D297
5	Physical Properties - After Ageing @ 70o C for 48 Hours		
	Changing in Tesile Strength %	+20%(Max)	IS:3400(Part IV)
	Change in Tensile Strength %	-20%(Max)	IS:3400(Part IV)
	Change in Elongation at Break	-20%(Max)	IS:3400(Part IV)

TITLE:	DRAWING NO:	DRAWN BY:	 SANDHYA ENTERPRISES HYDERABAD
DAM GATE RUBBER SEAL (PTFE TEFLON CLADED)	SE/RS/L100/BD44/T14	MD. RAHMATH ALI (B.TECH CIVIL ENG)	
		CHECKED BY:	
		MITHILESH CHOUDHARY	



SANDHYA ENTERPRISES

AN ISO 9001:2015 Certified Company

Address: 5-24-1223/8/1, Ambedkar Nagar, Gajularamaram, Hyderabad – 500055.

AN ISO 9001:2015 Certified Company

Contact No: 9652998932

GSTIN: 36GNLPS1299P1ZS

Email : sandhyaprises@gmail.com

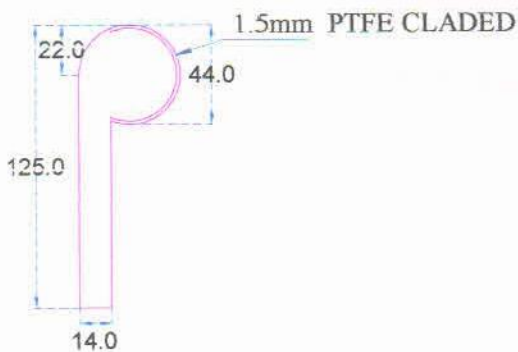
Website: www.sandhyaflex.com

WhatsApp: 9652998932

YouTube: www.youtube.com/c/SANDHYAENTERPRISES

Website : http://www.sandhyaflex.com/pvc-water-

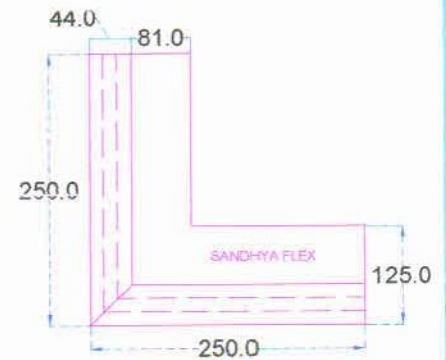
Request a Quote : https://www.sandhyaflex.com/contactus-1.php



SECTIONAL DETAILS OF PTFE TEFLON CLADED DAM GATE SEAL



SECTIONAL DETAILS OF FLAT TYPE SEAL



DETAILS OF MOULDED CORNER SEAL

All dimensions are in millimeter

S.NO	TESTS	Permissible Limits as per IS:11855-1986 Specificatoin	Relevant code for testing procedure/method
1	Physical Properties-Before Ageing		
	Hardness Test	60 to 70 Shore A	IS:3400(Part II)
	Tensile Strength	14.5 N/MM ² (Min)	IS:3400(Part I)
	Elongation at Break	450%(min)	IS:3400(Part I)
2	Water Absorbtion	10% (max)	IS:3400(Part VI)
3	Polymer Percentage	70%(min)	IS:3400(Part XXII)
4	Polymer	(NR)	ASTM D297
5	Physical Properties - After Ageing @ 70o C for 48 Hours		
	Changing in Tesile Streghth %	+20%(Max)	IS:3400(Part IV)
	Change in Tensile Strength %	-20%(Max)	IS:3400(Part IV)
	Change in Elongation at Break	-20%(Max)	IS:3400(Part IV)

TITLE: DAM GATE RUBBER SEAL (PTFE TEFLON CLADED)	DRAWING NO: SE/RS/L125/BD44/T14	DRAWN BY: MD. RAHMATH ALI (B.TECH CIVIL ENG)	SANDHYA ENTERPRISES HYDERABAD
		CHECKED BY: MITHILESH CHOUDHARY	



SANDHYA ENTERPRISES

AN ISO 9001:2015 Certified Company

Address: 5-24-1223/8/1, Ambedkar Nagar, Gajularamaram, Hyderabad – 500055.

AN ISO 9001:2015 Certified Company

Contact No: 9652998932

GSTIN: 36GNLPS1299P1ZS

Email : sandhyaprises@gmail.com

Website: www.sandhyaflex.com

WhatsApp: 9652998932

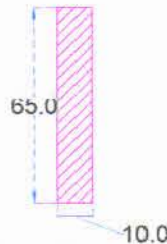
YouTube: www.youtube.com/c/SANDHYAENTERPRISES

Website : http://www.sandhyaflex.com/pvc-water-

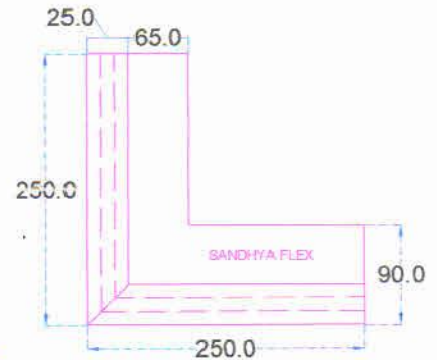
Request a Quote : https://www.sandhyaflex.com/contactus-1.php



SECTIONAL DETAILS OF PTFE TEFLON CLADED DAM GATE SEAL



SECTIONAL DETAILS OF FLAT TYPE SEAL



DETAILS OF MOULDED CORNER SEAL

All dimensions are in millimeter

S.NO	TESTS	Permissible Limits as per IS:11855-1986 Specificatoin	Relevant code for testing procedure/method
1	Physical Properties-Before Ageing		
	Hardness Test	60 to 70 Shore A	IS:3400(Part II)
	Tensile Strength	14.5 N/MM ² (Min)	IS:3400(Part I)
	Elongation at Break	450%(min)	IS:3400(Part I)
2	Water Absorbtion	10% (max)	IS:3400(Part VI)
3	Polymer Percentage	70%(min)	IS:3400(Part XXII)
4	Polymer	(NR)	ASTM D297
5	Physical Properties - After Ageing @ 70o C for 48 Hours		
	Changing in Tesile Streghth %	+20%(Max)	IS:3400(Part IV)
	Change in Tensile Strength %	-20%(Max)	IS:3400(Part IV)
	Change in Elongation at Break	-20%(Max)	IS:3400(Part IV)

TITLE:	DRAWING NO:	DRAWN BY:	SANDHYA ENTERPRISES HYDERABAD
DAM GATE RUBBER SEAL (PTFE TEFLON CLADED)	SE/RS/L90/BD25//T10	MD. RAHMATH ALI (B.TECH CIVIL ENG)	
		CHECKED BY:	
		MITHILESH CHOUDHARY	



SANDHYA ENTERPRISES

AN ISO 9001:2015 Certified Company

Address: 5-24-1223/8/1, Ambedkar Nagar, Gajularamaram, Hyderabad – 500055.

AN ISO 9001:2015 Certified Company

Contact No: 9652998932

GSTIN: 36GNLPS1299P1ZS

Email : sandhyapprises@gmail.com

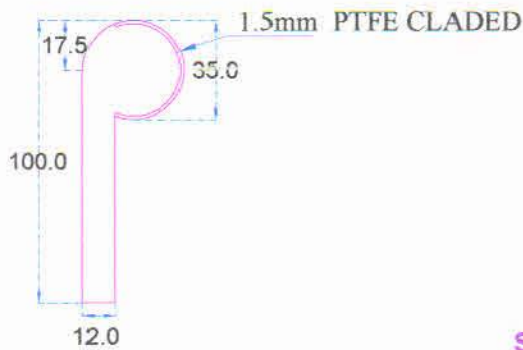
Website: www.sandhyaflex.com

WhatsApp: 9652998932

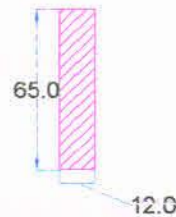
YouTube: www.youtube.com/c/SANDHYAENTERPRISES

Website: http://www.sandhyaflex.com/pvc-water-

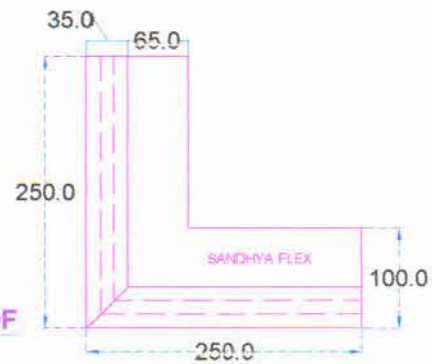
Request a Quote : https://www.sandhyaflex.com/contactus-1.php



SECTIONAL DETAILS OF PTFE TEFLON CLADED DAM GATE SEAL



SECTIONAL DETAILS OF FLAT TYPE SEAL



DETAILS OF MOULDED CORNER SEAL

All dimensions are in millimeter

S.NO	TESTS	Permissible Limits as per IS:11855-1986 Specifcacoion	Relevant code for testing procedure/method
1	Physical Properties-Before Ageing		
	Hardness Test	60 to 70 Shore A	IS:3400(Part II)
	Tensile Strength	14.5 N/MM ² (Min)	IS:3400(Part I)
	Elongation at Break	450%(min)	IS:3400(Part I)
2	Water Absorbtion	10% (max)	IS:3400(Part VI)
3	Polymer Percentage	70%(min)	IS:3400(Part XXII)
4	Polymer	(NR)	ASTM D297
5	Physical Properties - After Ageing @ 70o C for 48 Hours		
	Changing in Tesile Streghth %	+20%(Max)	IS:3400(Part IV)
	Change in Tensile Strength %	-20%(Max)	IS:3400(Part IV)
	Change in Elongation at Break	-20%(Max)	IS:3400(Part IV)

TITLE: DAM GATE RUBBER SEAL (PTFE TEFLON CLADED)

DRAWING NO: SE/RS/L100/BD35/T12

DRAWN BY: MD. RAHMATH ALI (B.TECH CIVIL ENG)
CHECKED BY: MITHILESH CHOUDHARY



SANDHYA ENTERPRISES
HYDERABAD