



# SANDHYA ENTERPRISES

AN ISO 9001:2015 Certified Company

Address: 5-24-1223/8/1, Ambedkar Nagar, Gajularamaram, Hyderabad – 500055.

AN ISO 9001:2015 Certified Company

Contact No: 9652998932

GSTIN: 36GNLPS1299P1ZS

Email : [sandhyapprises@gmail.com](mailto:sandhyapprises@gmail.com)

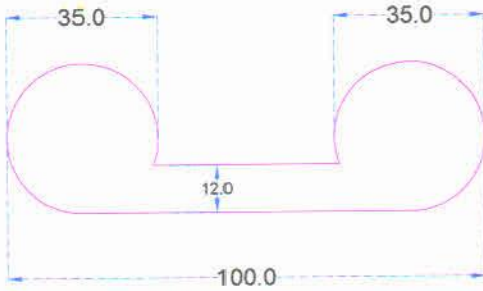
Website : [www.sandhyaflex.com](http://www.sandhyaflex.com)

WhatsApp: 9652998932

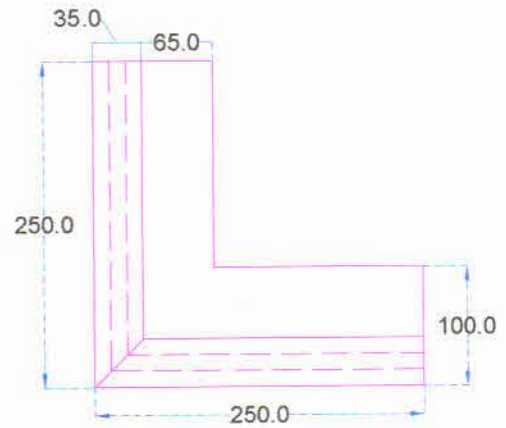
YouTube: [www.youtube.com/c/SANDHYAENTERPRISES](http://www.youtube.com/c/SANDHYAENTERPRISES)

Website : <http://www.sandhyaflex.com/pvc-water>

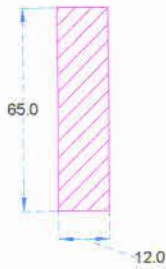
Request a Quote : <https://www.sandhyaflex.com/contactus-1.php>



SECTIONAL DETAILS OF DOUBLE BULB DAM GATE SEAL



DETAILS OF MOULDED CORNER SEAL




SECTIONAL DETAILS OF FLAT TYPE SEAL

All dimensions are in millimeter



S.NO	TESTS	Permissible Limits as per IS:11855-1986 Specification	Relevant code for testing procedure/method
1	Physical Properties-Before Ageing		
	Hardness Test	60 to 70 Shore A	IS:3400(Part II)
	Tensile Strength	14.5 N/MM <sup>2</sup> (Min)	IS:3400(Part I)
	Elongation at Break	450%(min)	IS:3400(Part I)
2	Water Absorbion	10% (max)	IS:3400(Part VI)
3	Polymer Percentage	70%(min)	IS:3400(Part XXII)
4	Polymer	(NR)	ASTM D297
5	Physical Properties - After Ageing @ 70o C for 48 Hours		
	Changing in Tesile Streghth %	+20%(Max)	IS:3400(Part IV)
	Change in Tensile Strength %	-20%(Max)	IS:3400(Part IV)
	Change in Elongation at Break	-20%(Max)	IS:3400(Part IV)

TITLE:	DRAWING NO:	DRAWN BY:	 SANDHYA ENTERPRISES HYDERABAD
DAM GATE RUBBER SEAL (DOUBLE BULB)	SE/DBRS/L100/BD35/T12	MD. RAHMATH ALI (B.TECH CIVIL ENG)	
		CHECKED BY:	
		MITHILESH CHOUDHARY	



# SANDHYA ENTERPRISES

AN ISO 9001:2015 Certified Company

Address: 5-24-1223/8/1, Ambedkar Nagar, Gajularamaram, Hyderabad – 500055.

AN ISO 9001:2015 Certified Company

Contact No: 9652998932

GSTIN: 36GNLPS1299P1ZS

Email: [sandhyaprises@gmail.com](mailto:sandhyaprises@gmail.com)

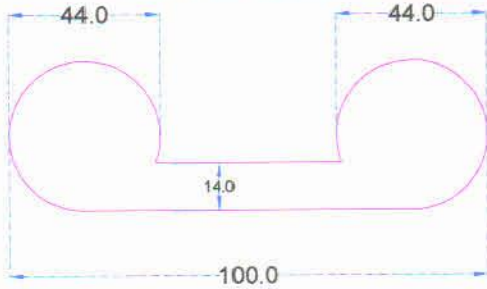
Website: [www.sandhyaflex.com](http://www.sandhyaflex.com)

WhatsApp: 9652998932

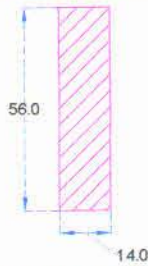
YouTube: [www.youtube.com/c/SANDHYAENTERPRISES](http://www.youtube.com/c/SANDHYAENTERPRISES)

Website: <http://www.sandhyaflex.com/pvc-water>

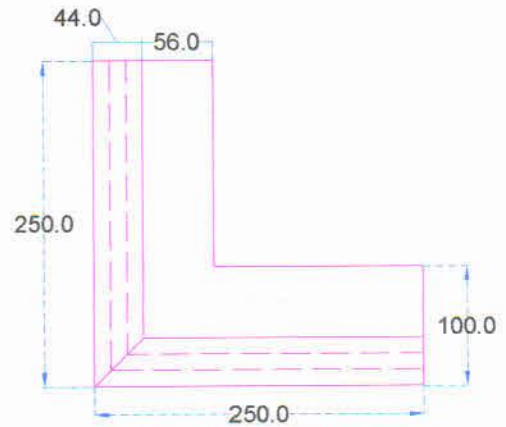
Request a Quote: <https://www.sandhyaflex.com/contactus-1.php>



SECTIONAL DETAILS OF DOUBLE BULB DAM GATE SEAL

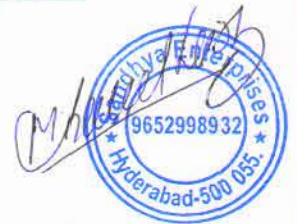


SECTIONAL DETAILS OF FLAT TYPE SEAL




DETAILS OF MOULDED CORNER SEAL

All dimensions are in millimeter



S.NO	TESTS	Permissible Limits as per IS:11855-1986 Specification	Relevant code for testing procedure/method
1	Physical Properties-Before Ageing		
	Hardness Test	60 to 70 Shore A	IS:3400(Part II)
	Tensile Strength	14.5 N/MM <sup>2</sup> (Min)	IS:3400(Part I)
	Elongation at Break	450%(min)	IS:3400(Part I)
2	Water Absorbition	10% (max)	IS:3400(Part VI)
3	Polymer Percentage	70%(min)	IS:3400(Part XXII)
4	Polymer	(NR)	ASTM D297
5	Physical Properties - After Ageing @ 70o C for 48 Hours		
	Changing in Tesile Streghth %	+20%(Max)	IS:3400(Part IV)
	Change in Tensile Strength %	-20%(Max)	IS:3400(Part IV)
	Change in Elongation at Break	-20%(Max)	IS:3400(Part IV)

TITLE:	DRAWING NO:	DRAWN BY:		SANDHYA ENTERPRISES HYDERABAD
DAM GATE RUBBER SEAL (DOUBLE BULB)	SE/DBRS/L100/BD44/T14	MD. RAHMATH ALI (B.TECH CIVIL ENG)		
		CHECKED BY:		
		MITHILESH CHOUDHARY		





# SANDHYA ENTERPRISES

AN ISO 9001:2015 Certified Company

Address: 5-24-1223/8/1, Ambedkar Nagar, Gajularamaram, Hyderabad – 500055.

AN ISO 9001:2015 Certified Company

Contact No: 9652998932

GSTIN: 36GNLPS1299P1ZS

Email: [sandhyapprises@gmail.com](mailto:sandhyapprises@gmail.com)

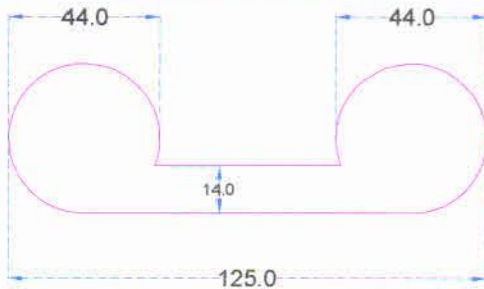
Website: [www.sandhyaflex.com](http://www.sandhyaflex.com)

WhatsApp: 9652998932

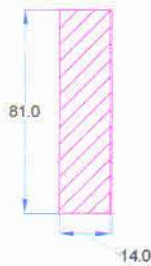
YouTube: [www.youtube.com/c/SANDHYAENTERPRISES](https://www.youtube.com/c/SANDHYAENTERPRISES)

Website: <http://www.sandhyaflex.com/pvc-wafer>

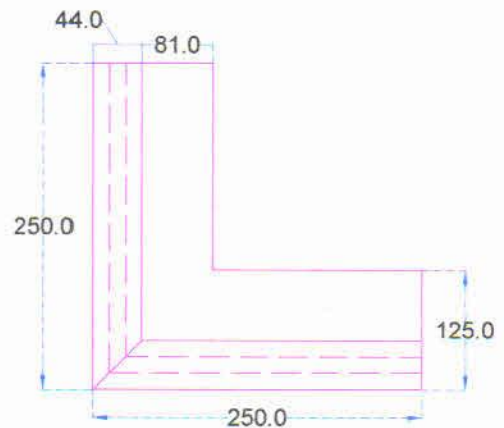
Request a Quote: <https://www.sandhyaflex.com/contactus-1.php>



SECTIONAL DETAILS OF DOUBLE BULB DAM GATE SEAL



SECTIONAL DETAILS OF FLAT TYPE SEAL




DETAILS OF MOULDED CORNER SEAL

All dimensions are in millimeter



S.NO	TESTS	Permissible Limits as per IS:11855-1986 Specification	Relevant code for testing procedure/method
1	Physical Properties-Before Ageing		
	Hardness Test	60 to 70 Shore A	IS:3400(Part II)
	Tensile Strength	14.5 N/MM <sup>2</sup> (Min)	IS:3400(Part I)
	Elongation at Break	450%(min)	IS:3400(Part I)
2	Water Absorbion	10% (max)	IS:3400(Part VI)
3	Polymer Percentage	70%(min)	IS:3400(Part XXII)
4	Polymer	(NR)	ASTM D297
5	Physical Properties - After Ageing @ 70o C for 48 Hours		
	Changing in Tesile Stregth %	+20%(Max)	IS:3400(Part IV)
	Change in Tensile Strength %	-20%(Max)	IS:3400(Part IV)
	Change in Elongation at Break	-20%(Max)	IS:3400(Part IV)

TITLE:	DRAWING NO:	DRAWN BY:	 SANDHYA ENTERPRISES HYDERABAD
DAM GATE RUBBER SEAL (DOUBLE BULB)	SE/DBRS/L125/BD44/T14	MD. RAHMATH ALI (B.TECH CIVIL ENG)	
		CHECKED BY:	
		MITHILESH CHOUDHARY	