



SANDHYA ENTERPRISES

AN ISO:9001:5015 Certified Company

Address: 5-24-1223/8/1, Ambedkar Nagar, Gajularamaram, Hyderabad – 500055.

AN ISO 9001:2015 Certified Company

Contact No: 9652998932

GSTIN: 36GNLPS1299P1ZS

Email : sandhyaprises@gmail.com

Website: www.sandhyaflex.com

WhatsApp: 9652998932

YouTube: www.youtube.com/c/SANDHYAENTERPRISES

Website : <http://www.sandhyaflex.com/pvc-water-...>

Request a Quote : <https://www.sandhyaflex.com/contactus-1.php>

CAM LOCK FITTING

The Original Often Imitated Never Duplicated
Available in a wide Range of Sizes. Materials.
And Ratings to Meet Virtually Any Customer
Application

SANDHYA ENTERPRISES is the Industry Leader Others have attempted to Duplicate but is Unparalleled in Selection. Capability and Depend. Ability, in Addition to Being the Most Recognized Brand of Hub on the Market. Myers offers larger Aluminum Hubs. Atex Approved Hubs.
Cap-offs Drans and More!

Cam Lock Couplings.

Cam lock Couplings are Manufactured in Compliance with Mil-C-27487 (a-a-59326) Specification. Their Construction. Their Construction, as well as Operation, Is very simple . The Coupling is connected just by opening the coupler Arms and inserting the Adapter into the Coupler. The Cam Arms are then closed under Normal/ Hand Pressure to complete Joint. The Standard Coupling is Supplied with a Nitrile/ Silicon Rubber Seal That is Placed in the Groove of a Coupler. The Couplings are made of Aluminium, Brass (Bronze). Aisi 316 Stainless Steel. Polypropylene Reinforced with Bre Glass. Handles are made of AISI 304 Stainless Steel as a Standard for All Couplings Made of Brass. Stainless Steel. Polypropylene and for Aluminium couplings in sizes ½", 3/4", 1", 5" and 6". The Couplings made of Aluminium in sizes ranging from 1.1/4" to 4" have Brass Handles as a standard. Polypropylene Couplings in size ½" have Coupler and ¾" Adapter, However. Coupler and Adapter are also available).

Crs and Ers Couplings in size 1.1/2" Are Available as a Version for Hoses with Either 38mm or 40mm inside Diameter.

Cam Lock Coupling Details

Working Pressure Chart (Bar)								
Material size	½"	¾"	2"	2½"	3"	4"	5"	6"
	12.7mm	19.05mm	50.8mm	63mm	76.2mm	101.6mm	127.0mm	152.4
Brass	9	10	10	10	10	10	5	5
Aluminium	9	10	10	10	10	10	5	5
AISI 16L	10	10	10	10	10	10	5	5

Sandhya Enterprises Supplies two types of CAM LOCK Couplings

*SNAP LOCK: Manufactured by Action Seal tight, Heavy Duty Type.

Designed for essential industrial connections.

ECONOMY:- Economical Version of CAM LOCK tings for general Industrial application. This version comes with reduced wall thickness, economical Nish, and with reduced mechanical resistance. Yet it meets all pressure requirements.

Cam Lock Coupling Details

Temperature Range of Seal material							
Temperature	NBR	EPDM	Viton	Neoprene	PTFE/NBR	PTFE/Vito	FEP/Silicone
Minimum	-40°C	-30°C	-40°C	-50°C	-40°C	-40°C	-60°C
Maximum	+93°C	+150°C	+200°C	+107°C	+93°C	+200°C	+2050°C

Cam Lock Couplings Specifications.

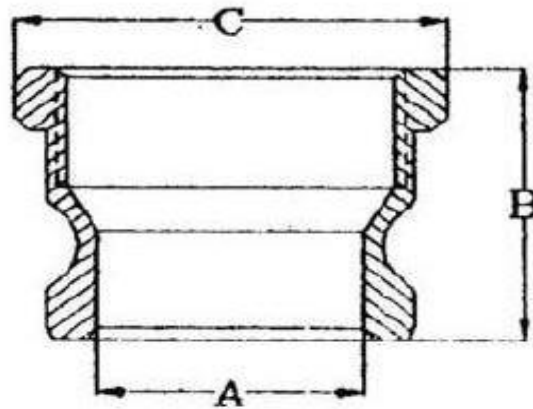
Type A Cam Lock-Male Cam Lock/Female BSP										
Dimensions Inch	½"	¾"	1"	1¼"	1½"	2"	2½"	3"	4"	
Millimetres	15	20	25	32	40	50	65	80	100	
A	21	21	26	28.5	36	50	56.5	75	109.2	
B	38	38	45	56	60	61	87	66.5	72	
C	32	32	38	48	56	63	83	91	119.5	
Type A Cam Lock-Male Cam Lock/Female BSP										
Dimensions Inch	½"	¾"	1"	1¼"	1½"	2"	2½"	3"	4"	
millimetres	15	20	25	32	40	50	65	80	100	
A	14	14	24	28	35	51	58	72	98	
B	52	52	64	72	73	80	90	94	101	
E	32	32	40	48	49	54	59	60	62	
G	53	53	60	78	85	96	110	127	156	
Type C Cam Lock-Female Cam Lock/Male Hose Bar										
Dimensions Inch	½"	¾"	1"	1¼"	1½"	2"	2½"	3"	4"	
millimetres	15	20	25	32	40	50	65	80	100	
A	14	14	94	25	31	43	55	67	92	
B	92	92	31	118	121	138	155	164	175	
D	20	20	31	33	39	52	65	77	103	
E	32	32	36	48	49	54	59	60	62	
G	53	53	60	78	85	96	110	127	156	

CAMLOCK PRICE LIST (SS340)

TYPE									
Size	A	B	C	D	E	F	DP	DC	
1/2"	65			175					
3/4"	70		155	175		135			
1"	125	265	235	220	150	145			
1 1/4"	145		290	270	215	225			
1 1/2"	190	360	320	360	255	240	170	290	
2"	240	475	420	430	425	350	255	340	
2 1/2"	406			625					
3"	550		940	740	875	750	565	690	
4"	695		1140	1175	1075				

Sr No	Type	Image
	A	
	B	
	C	

	D		
	E		
	F		
	DP		
	DC		

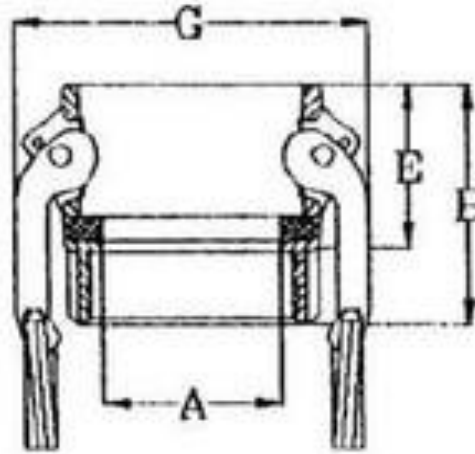
TYPE A**Male Coupler X Female NPT**

Size		1/2"	3/4"	1"	1-1/4"	1-1/2"	2"	2-1/2"	3"	4"	6"
Size of Thread		1/2"	3/4"	1"	1-1/4"	1-1/2"	2"	2-1/2"	3"	4"	6"
B: Overall Length	NPT	40.9	39	48.5	52.5	54.7	63.5	68	70	74.6	79.2
	BSPT	40.9	39	48.5	52.5	54.7	63.5	83	70	74.6	79.2
A: Min I.D.		14.3	21	23.8	30.8	38.5	46	58	73.2	98.2	150
C: Max Across Corners of Adaptors		28.8	39.2	43.8	51.9	60.4	70.4	82.3	97.8	126.8	187.6

Unit:mm

TYPE D

Female Coupler X Female NPT



Size	1/2"	3/4"	1"	1-1/4"	1-1/2"	2"	2-1/2"	3"	4"	6"
Size of Thread	1/2"	3/4"	1"	1-1/4"	1-1/2"	2"	2-1/2"	3"	4"	6"
G: Max O.D.	45.7	53.3	60.9	82.6	90.3	99.8	112.4	137.6	165.6	238.3
B: Overall Length	49.5	51	58.64	67.5	67	72.2	85.64	86.5	88.8	103.5
E: Exposed Length	31.4	32	39	44.5	45	50	54.3	55.5	55.5	65.5
A: Min. I.D.	18	21	25	34.9	39	50.8	63	76.2	100.8	152.6

Unit: mm



BUSINESS POLICY

Inquiry

Quotation

Purchase Order



1. Billing Address.

2. Delivery Address

3. GST No

4. Contact No

Performa Invoice

Advance Payment

Take in Production as per Purchase Order

After Completed Consignment Inform to Client for

Balance Payment

Dispatch the Material

Provide LR Copy

Bank Details	
COMPANY NAME	SANDHYA ENTERPRISES
Bank	HDFC Bank Ltd
Branch	5-80,HMT Road,Chintal, Jeedimetla,Qutubulapur Mandal Dist. R R ,Hyderabad-500054 Telangana
Account No	50200016352482
IFSC	HDFC0001041
PAN No	GNLPS1299P
GST NO	36GNLpPS1299P1ZS
IEC	0916915042
AD Code	05114228381149
MSME	TS20B0028147