



# SANDHYA ENTERPRISES

**AN ISO 9001:2015 Certified Company**

**Address:** 5-24-1223/8/1, Ambedkar Nagar, Gajularamaram, Hyderabad – 500055.

**AN ISO 9001:2015 Certified Company**

**Contact No:** 9652998932

**GSTIN:** 36GNLPS1299P1ZS

**Email :** [sandhyaprises@gmail.com](mailto:sandhyaprises@gmail.com)

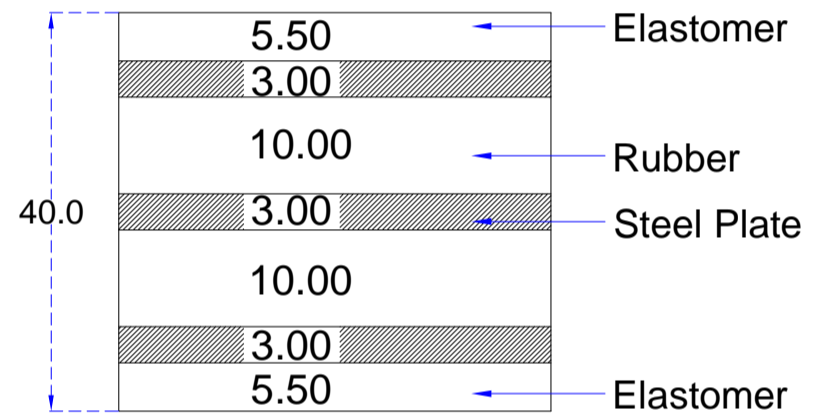
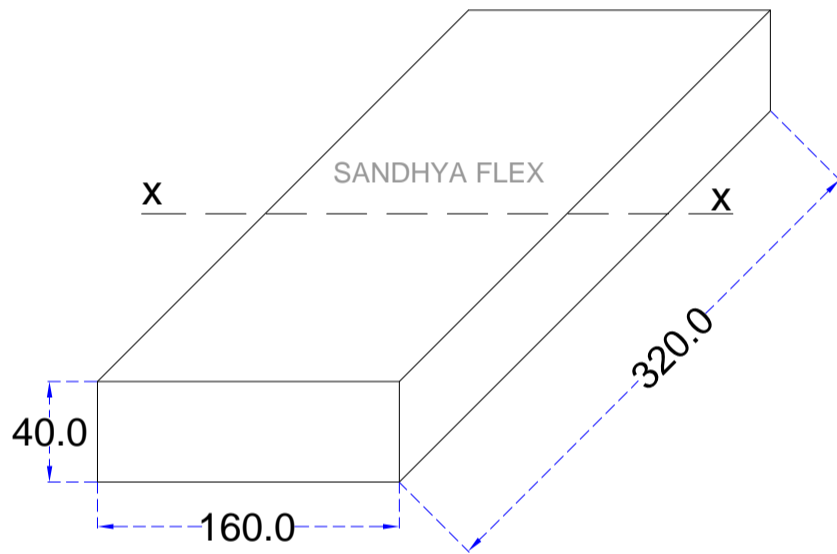
**Website:** [www.sandhyaflex.com](http://www.sandhyaflex.com)

**WhatsApp:** 9652998932

**YouTube:** [www.youtube.com/c/SANDHYAENTERPRISES](http://www.youtube.com/c/SANDHYAENTERPRISES)

**Website :** <http://www.sandhyaflex.com/pvc-water-...>

**Request a Quote :** <https://www.sandhyaflex.com/contactus-1.php>



**SECTION X-X**

ALL DIMENSIONS ARE IN MM

## ELASTOMERIC BRIDGE BEARING

S.NO	TESTS	Permissible Limits as per IRC83(PART II)/2015	TESTS
1	Physical Properties-Before Ageing		
	Hardness Test	60+5 IRHD	IS:3400(Part II)
	Tensile Strength	17 MPa(min)	IS:3400(Part I)
	Elongation at Break	400%(min)	IS:3400(Part I)
2	Adhesion Strength	7 kn/M (min)	IS:3400(Part XIV)
3	Ash Content	5%(max)	IS:3400(Part XXII)
4	Polymer	Chloroprene(CR)	ASTM D297
5	Polymer Percentage	60% (Min)	IS:3400(Part XXII)
6	Compression Set	-35% (Max)	IS:3400(Part X)
7	Physical Properties - After Ageing		
	Changing in Tesile Streghth %	-15%(Max)	IS:3400(Part IV)
	Change in Elongation at Break	-30% (Max)	IS:3400(Part IV)
	Change in Hardness	+5 Deg(Max)	IS:3400(Part IV)

TITLE:

**ELASTOMERIC BRIDGE BEARING**

DRAWING NO:

SE/EBB/L320/W160/D40

DRAWN BY:

MD. RAHMATH ALI  
(B.TECH CIVIL ENG)

CHECKED BY:

MITHILESH CHOUDHARY



SANDHYA ENTERPRISES

HYDERABAD



# SANDHYA ENTERPRISES

**AN ISO 9001:2015 Certified Company**

**Address:** 5-24-1223/8/1, Ambedkar Nagar, Gajularamaram, Hyderabad – 500055.

**AN ISO 9001:2015 Certified Company**

Contact No: 9652998932

**GSTIN:** 36GNLPS1299P1ZS

**Email :** [sandhyapprises@gmail.com](mailto:sandhyapprises@gmail.com)

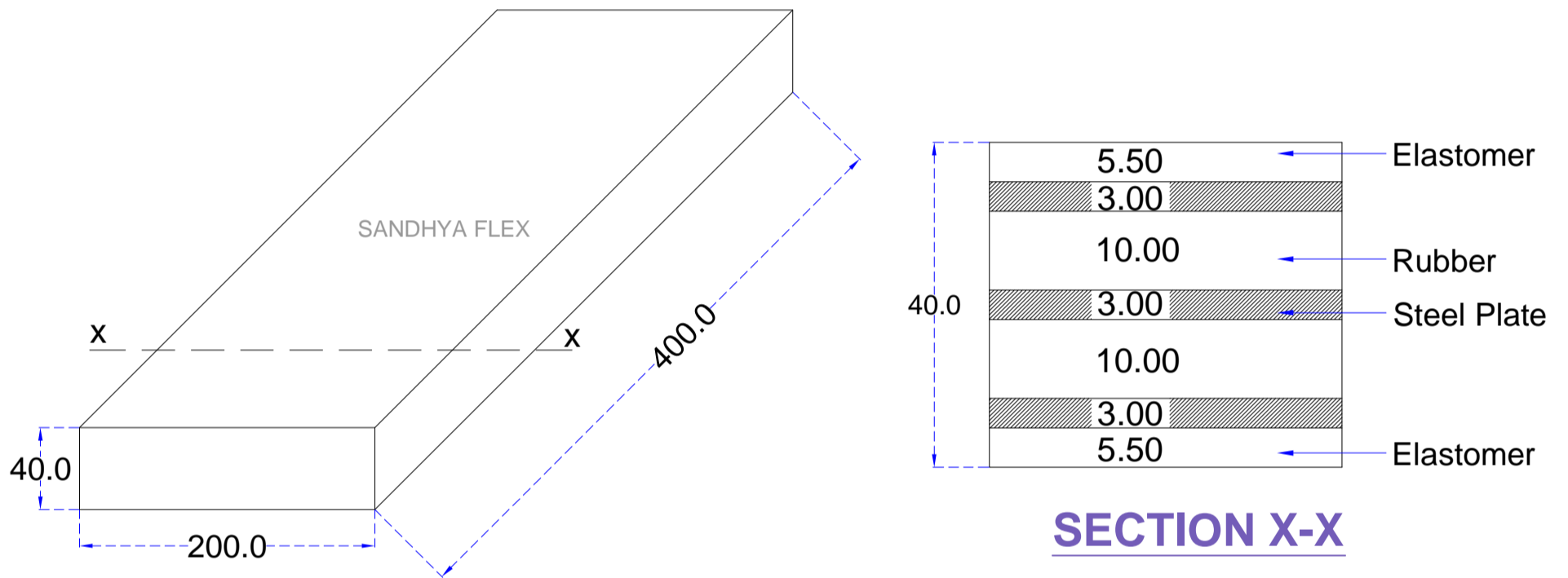
**Website:** [www.sandhyaflex.com](http://www.sandhyaflex.com)

WhatsApp: 9652998932

YouTube: [www.youtube.com/c/SANDHYAENTERPRISES](http://www.youtube.com/c/SANDHYAENTERPRISES)

Website : <http://www.sandhyaflex.com/pvc-water-...>


**Request a Quote :** <https://www.sandhyaflex.com/contactus-1.php>



ALL DIMENSIONS ARE IN MM

## ELASTOMERIC BRIDGE BEARING

S.NO	TESTS	Permissible Limits as per IRC83(PART II)/2015	TESTS
1	Physical Properties-Before Ageing		
	Hardness Test	60+5 IRHD	IS:3400(Part II)
	Tensile Strength	17 MPa(min)	IS:3400(Part I)
	Elongation at Break	400%(min)	IS:3400(Part I)
2	Adhesion Strength	7 kn/M (min)	IS:3400(Part XIV)
3	Ash Content	5%(max)	IS:3400(Part XXII)
4	Polymer	Chloroprene(CR)	ASTM D297
5	Polymer Percentage	60% (Min)	IS:3400(Part XXII)
6	Compression Set	-35% (Max)	IS:3400(Part X)
7	Physical Properties - After Ageing		
	Changing in Tesile Streghth %	-15%(Max)	IS:3400(Part IV)
	Change in Elongation at Break	-30% (Max)	IS:3400(Part IV)
	Change in Hardness	+5 Deg(Max)	IS:3400(Part IV)

TITLE:	DRAWING NO:	DRAWN BY:	 <b>SANDHYA ENTERPRISES</b> <b>HYDERABAD</b>
<b>ELASTOMERIC BRIDGE BEARING</b>	SE/EBB/L400/W200/D40	MD. RAHMATH ALI (B.TECH CIVIL ENG)	
		CHECKED BY:	
		MITHILESH CHOUDHARY	