



SANDHYA ENTERPRISES

AN ISO 9001:2015 Certified Company

Address: 5-24-1223/8/1, Ambedkar Nagar, Gajularamaram, Hyderabad – 500055.

AN ISO 9001:2015 Certified Company

Contact No: 9652998932

GSTIN: 36GNLPS1299P1ZS

Email : sandhyaprises@gmail.com

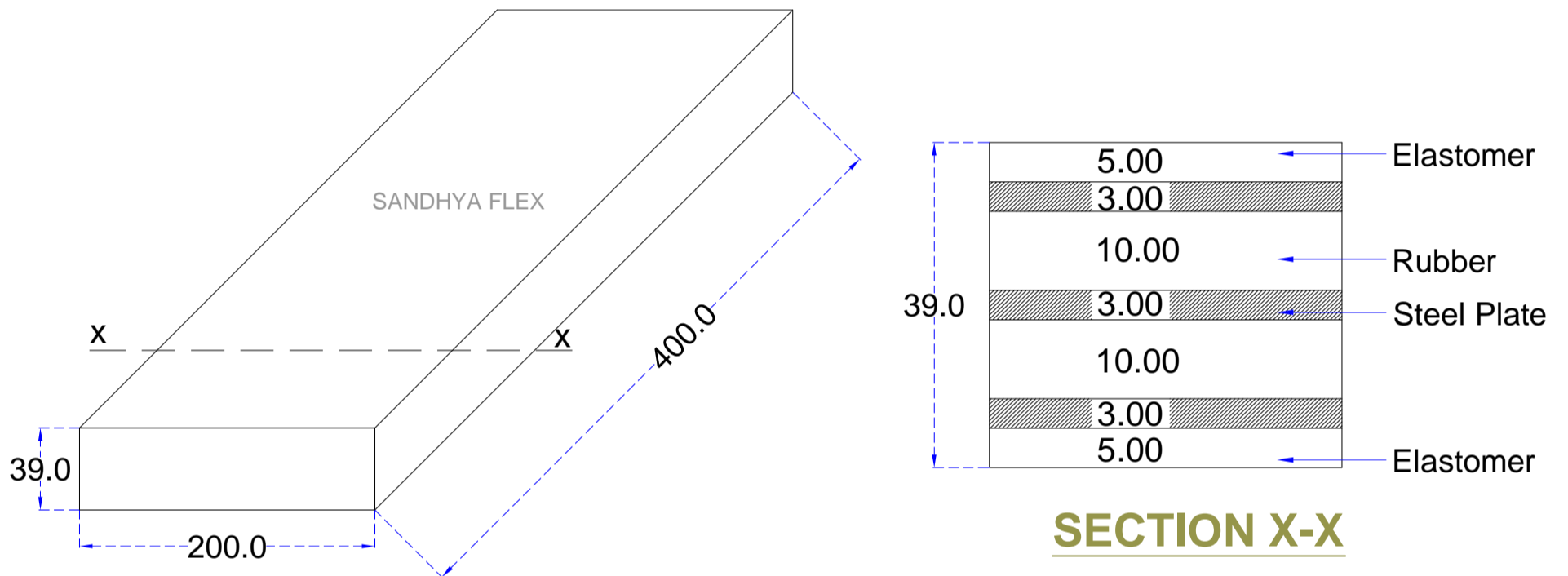
Website: www.sandhyaflex.com

WhatsApp: 9652998932

YouTube: www.youtube.com/c/SANDHYAENTERPRISES

Website : <http://www.sandhyaflex.com/pvc-water-...>

Request a Quote : <https://www.sandhyaflex.com/contactus-1.php>



ALL DIMENSIONS ARE IN MM

ELASTOMERIC BRIDGE BEARING

S.NO	TESTS	Permissible Limits as per IRC83(PART II)/2015	TESTS
1	Physical Properties-Before Ageing		
	Hardness Test	60+5 IRHD	IS:3400(Part II)
	Tensile Strength	17 MPa(min)	IS:3400(Part I)
	Elongation at Break	400%(min)	IS:3400(Part I)
2	Adhesion Strength	7 kn/M (min)	IS:3400(Part XIV)
3	Ash Content	5%(max)	IS:3400(Part XXII)
4	Polymer	Chloroprene(CR)	ASTM D297
5	Polymer Percentage	60% (Min)	IS:3400(Part XXII)
6	Compression Set	-35% (Max)	IS:3400(Part X)
7	Physical Properties - After Ageing		
	Changing in Tesile Streghth %	-15%(Max)	IS:3400(Part IV)
	Change in Elongation at Break	-30% (Max)	IS:3400(Part IV)
	Change in Hardness	+5 Deg(Max)	IS:3400(Part IV)

TITLE:	DRAWING NO:	DRAWN BY:	SANDHYA ENTERPRISES HYDERABAD
ELASTOMERIC BRIDGE BEARING	SE/EBB/L400/W200/D39	MD. RAHMATH ALI (B.TECH CIVIL ENG)	
		CHECKED BY:	
		MITHILESH CHOUDHARY	



SANDHYA ENTERPRISES

AN ISO 9001:2015 Certified Company

Address: 5-24-1223/8/1, Ambedkar Nagar, Gajularamaram, Hyderabad – 500055.

AN ISO 9001:2015 Certified Company

Contact No: 9652998932

GSTIN: 36GNLPS1299P1ZS

Email : sandhyaprises@gmail.com

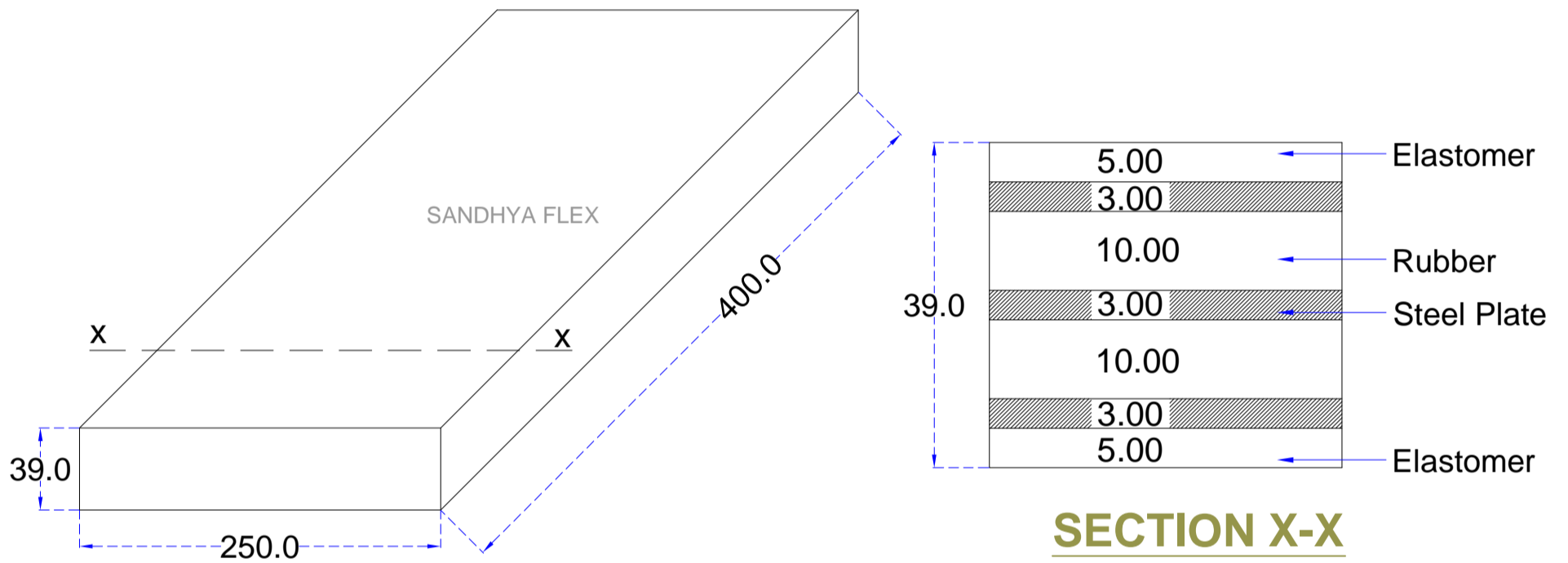
Website: www.sandhyaflex.com

WhatsApp: 9652998932

YouTube: www.youtube.com/c/SANDHYAENTERPRISES

Website : <http://www.sandhyaflex.com/pvc-water-...>

Request a Quote : <https://www.sandhyaflex.com/contactus-1.php>



ALL DIMENSIONS ARE IN MM

ELASTOMERIC BRIDGE BEARING

S.NO	TESTS	Permissible Limits as per IRC83(PART II)/2015	TESTS
1	Physical Properties-Before Ageing		
	Hardness Test	60+5 IRHD	IS:3400(Part II)
	Tensile Strength	17 MPa(min)	IS:3400(Part I)
	Elongation at Break	400%(min)	IS:3400(Part I)
2	Adhesion Strength	7 kn/M (min)	IS:3400(Part XIV)
3	Ash Content	5%(max)	IS:3400(Part XXII)
4	Polymer	Chloroprene(CR)	ASTM D297
5	Polymer Percentage	60% (Min)	IS:3400(Part XXII)
6	Compression Set	-35% (Max)	IS:3400(Part X)
7	Physical Properties - After Ageing		
	Changing in Tesile Streghth %	-15%(Max)	IS:3400(Part IV)
	Change in Elongation at Break	-30% (Max)	IS:3400(Part IV)
	Change in Hardness	+5 Deg(Max)	IS:3400(Part IV)

TITLE:

ELASTOMERIC BRIDGE BEARING

DRAWING NO:

SE/EBB/L400/W250/D39

DRAWN BY:

MD. RAHMATH ALI
(B.TECH CIVIL ENG)

CHECKED BY:

MITHILESH CHOUDHARY



SANDHYA ENTERPRISES

HYDERABAD