



# SANDHYA ENTERPRISES

**AN ISO 9001:2015 Certified Company**

**Address:** 5-24-1223/8/1, Ambedkar Nagar, Gajularamaram, Hyderabad – 500055.

**AN ISO 9001:2015 Certified Company**

Contact No: 9652998932

**GSTIN:** 36GNLPS1299P1ZS

**Email :** sandhyapprises@gmail.com

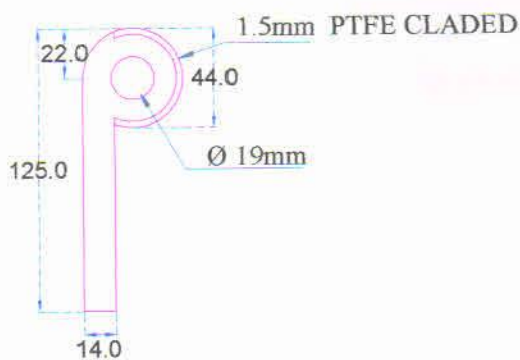
**Website:** www.sandhyaflex.com

**WhatsApp:** 9652998932

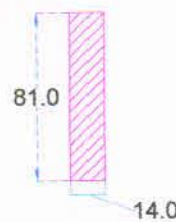
**YouTube:** www.youtube.com/c/SANDHYAENTERPRISES

**Website:** http://www.sandhyaflex.com/pvc-water

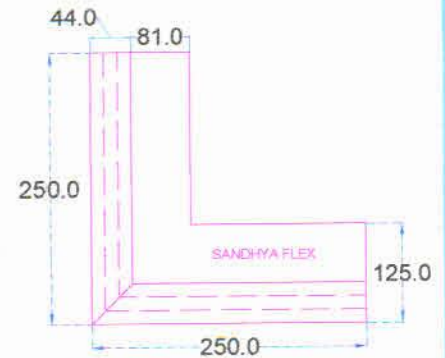
**Request a Quote :** https://www.sandhyaflex.com/contactus-1.php



**SECTIONAL DETAILS OF HOLLOW PTFE TEFLON CLADED DAM GATE SEAL**



**SECTIONAL DETAILS OF FLAT TYPE SEAL**



**DETAILS OF MOULDED CORNER SEAL**

All dimensions are in millimeter

S.NO	TESTS	Permissible Limits as per IS:11855-1986 Specificatoin	Relevant code for testing procedure/method
1	Physical Properties-Before Ageing		
	Hardness Test	60 to 70 Shore A	IS:3400(Part II)
	Tensile Strength	14.5 N/MM2 (Min)	IS:3400(Part I)
	Elongation at Break	450%(min)	IS:3400(Part I)
2	Water Absorbtion	10% (max)	IS:3400(Part VI)
3	Polymer Percentage	70%(min)	IS:3400(Part XXII)
4	Polymer	(NR)	ASTM D297
5	Physical Properties - After Ageing @ 70o C for 48 Hours		
	Changing in Tesile Streghth %	+20%(Max)	IS:3400(Part IV)
	Change in Tensile Strength %	-20%(Max)	IS:3400(Part IV)
	Change in Elongation at Break	-20%(Max)	IS:3400(Part IV)

TITLE:	DRAWING NO:	DRAWN BY:	<b>SANDHYA ENTERPRISES</b> <b>HYDERABAD</b>
DAM GATE RUBBER SEAL (HOLLOW PTFE TEFLON CLADED)	SE/RS/L125/BD44/HD19/T14	MD. RAHMATH ALI (B.TECH CIVIL ENG)	
		CHECKED BY:	
		MITHILESH CHOUDHARY	



# SANDHYA ENTERPRISES

**AN ISO 9001:2015 Certified Company**

**Address:** 5-24-1223/8/1, Ambedkar Nagar, Gajularamaram, Hyderabad – 500055.

**AN ISO 9001:2015 Certified Company**

Contact No: 9652998932

**GSTIN:** 36GNLPS1299P1ZS

**Email:** sandhyaprises@gmail.com

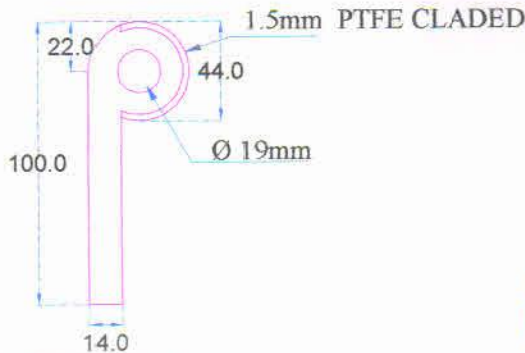
**Website:** www.sandhyaflex.com

**WhatsApp:** 9652998932

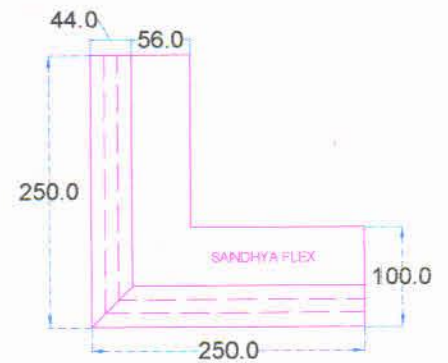
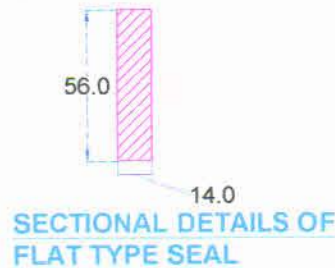
**YouTube:** www.youtube.com/c/SANDHYAENTERPRISES

**Website:** http://www.sandhyaflex.com/dvc-water-

**Request a Quote:** https://www.sandhyaflex.com/contactus-1.php



**SECTIONAL DETAILS OF HOLLOW PTFE TEFLON CLADED DAM GATE SEAL**



**DETAILS OF MOULDED CORNER SEAL**

All dimensions are in millimeter

S.NO	TESTS	Permissible Limits as per IS:11855-1986 Specification	Relevant code for testing procedure/method
1	Physical Properties-Before Ageing		
	Hardness Test	60 to 70 Shore A	IS:3400(Part II)
	Tensile Strength	14.5 N/MM <sup>2</sup> (Min)	IS:3400(Part I)
	Elongation at Break	450%(min)	IS:3400(Part I)
2	Water Absorbtion	10% (max)	IS:3400(Part VI)
3	Polymer Percentage	70%(min)	IS:3400(Part XXII)
4	Polymer	(NR)	ASTM D297
5	Physical Properties - After Ageing @ 70o C for 48 Hours		
	Changing in Tesile Streghth %	+20%(Max)	IS:3400(Part IV)
	Change in Tensile Strength %	-20%(Max)	IS:3400(Part IV)
	Change in Elongation at Break	-20%(Max)	IS:3400(Part IV)

TITLE:	DRAWING NO:	DRAWN BY:	<b>SANDHYA ENTERPRISES</b> HYDERABAD
DAM GATE RUBBER SEAL (HOLLOW PTFE TEFLON CLADED)	SE/RS/L100/BD44/HD19/T14	MD. RAHMATH ALI (B.TECH CIVIL ENG)	
		CHECKED BY:	
		MITHILESH CHOUDHARY	



# SANDHYA ENTERPRISES

**AN ISO 9001:2015 Certified Company**

**Address:** 5-24-1223/8/1, Ambedkar Nagar, Gajularamaram, Hyderabad – 500055.

**AN ISO 9001:2015 Certified Company**

Contact No: 9652998932

**GSTIN:** 36GNLPS1299P1ZS

**Email:** sandhyapprises@gmail.com

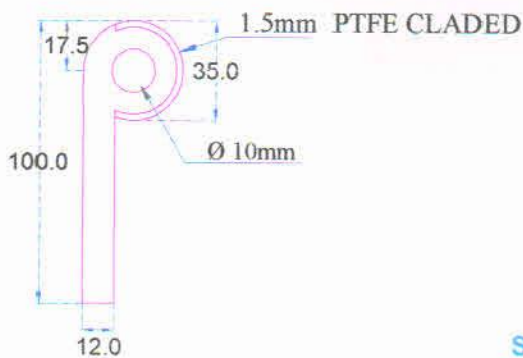
**Website:** www.sandhyaflex.com

**WhatsApp:** 9652998932

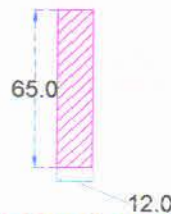
**YouTube:** www.youtube.com/c/SANDHYAENTERPRISES

**Website:** http://www.sandhyaflex.com/pvc-water-

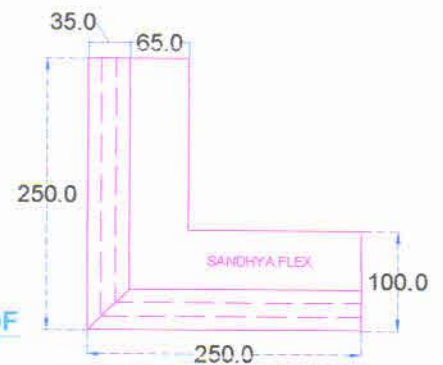
**Request a Quote:** https://www.sandhyaflex.com/contactus-1.php



**SECTIONAL DETAILS OF HOLLOW PTFE TEFLON CLADED DAM GATE SEAL**



**SECTIONAL DETAILS OF FLAT TYPE SEAL**



**DETAILS OF MOULDED CORNER SEAL**

All dimensions are in millimeter

S.NO	TESTS	Permissible Limits as per IS:11855-1986 Specification	Relevant code for testing procedure/method
1	Physical Properties-Before Ageing		
	Hardness Test	60 to 70 Shore A	IS:3400(Part II)
	Tensile Strength	14.5 N/MM <sup>2</sup> (Min)	IS:3400(Part I)
	Elongation at Break	450%(min)	IS:3400(Part I)
2	Water Absorbion	10% (max)	IS:3400(Part VI)
3	Polymer Percentage	70%(min)	IS:3400(Part XXII)
4	Polymer	(NR)	ASTM D297
5	Physical Properties - After Ageing @ 70o C for 48 Hours		
	Changing in Tesile Stregh %	+20%(Max)	IS:3400(Part IV)
	Change in Tensile Strength %	-20%(Max)	IS:3400(Part IV)
	Change in Elongation at Break	-20%(Max)	IS:3400(Part IV)

<b>TITLE:</b> DAM GATE RUBBER SEAL (HOLLOW PTFE TEFLON CLADED)	<b>DRAWING NO:</b> SE/RS/L100/BD35/HD10/T12	<b>DRAWN BY:</b> MD. RAHMATH ALI (B.TECH CIVIL ENG)	<b>SANDHYA ENTERPRISES</b> <b>HYDERABAD</b>
		<b>CHECKED BY:</b> MITHILESH CHOUDHARY	



# SANDHYA ENTERPRISES

**AN ISO 9001:2015 Certified Company**

**Address:** 5-24-1223/8/1, Ambedkar Nagar, Gajularamaram, Hyderabad – 500055.

**AN ISO 9001:2015 Certified Company**

Contact No: 9652998932

**GSTIN: 36GNLPS1299P1ZS**

Email : [sandhyapprises@gmail.com](mailto:sandhyapprises@gmail.com)

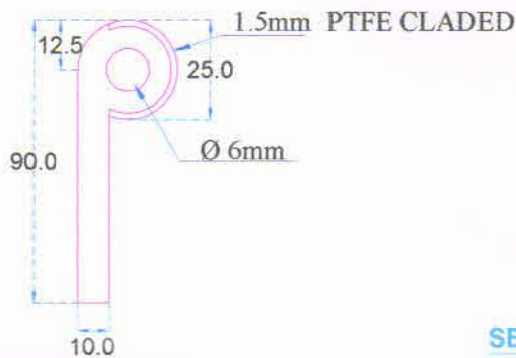
Website: [www.sandhyaflex.com](http://www.sandhyaflex.com)

WhatsApp: 9652998932

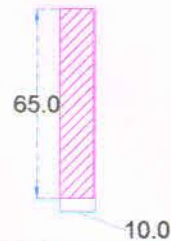
YouTube: [www.youtube.com/c/SANDHYAENTERPRISES](http://www.youtube.com/c/SANDHYAENTERPRISES)

Website: <http://www.sandhyaflex.com/pvc-water->

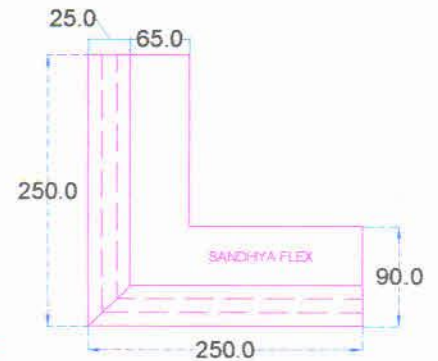
**Request a Quote :** <https://www.sandhyaflex.com/contactus-1.php>



**SECTIONAL DETAILS OF HOLLOW PTFE TEFLON CLADED DAM GATE SEAL**




**SECTIONAL DETAILS OF FLAT TYPE SEAL**



**DETAILS OF MOULDED CORNER SEAL**

All dimensions are in millimeter

S.NO	TESTS	Permissible Limits as per IS:11855-1986 Specificatoin	Relevant code for testing procedure/method
1	Physical Properties-Before Ageing		
	Hardness Test	60 to 70 Shore A	IS:3400(Part II)
	Tensile Strength	14.5 N/MM <sup>2</sup> (Min)	IS:3400(Part I)
	Elongation at Break	450%(min)	IS:3400(Part I)
2	Water Absorbtion	10% (max)	IS:3400(Part VI)
3	Polymer Percentage	70%(min)	IS:3400(Part XXII)
4	Polymer	(NR)	ASTM D297
5	Physical Properties - After Ageing @ 70o C for 48 Hours		
	Changing in Tesile Stregth %	+20%(Max)	IS:3400(Part IV)
	Change in Tensile Strength %	-20%(Max)	IS:3400(Part IV)
	Change in Elongation at Break	-20%(Max)	IS:3400(Part IV)

TITLE:	DRAWING NO:	DRAWN BY:	 SANDHYA ENTERPRISES HYDERABAD
DAM GATE RUBBER SEAL (HOLLOW PTFE TEFLON CLADED)	SE/RS/L90/BD25/HD6/T10	MD. RAHMATH ALI (B.TECH CIVIL ENG) CHECKED BY: MITHILESH CHOUDHARY	